

BPC Line - BCE Series

BCE0726



Commercial Fanless Windows Embedded Box PC



- Intel® Core i7-8550U
- Support Windows 10, Linux OS
- Fanless Operation
- Rich IO Port Design
- Low Power Consumption
- Long Product Life Cycle and Support



Self-service
Terminal



KIOSK



Smart Room
Controller



Gambling
Machine



Interactive
Digital Signage

Specification

BCE0726

Main System

CPU	Intel® Core i7-8550U
Memory	4GB DDR4
Storage	64GB SSD
BIOS	AMI 64M DPI Flash ROM
OS Support	Windows 7 /8 /10, Linux
Ethernet	2 x Intel i211-AT Gigabit LAN
Communication	WWAN: 3G, 4G LTE (Optional) WLAN: IEEE 802.11a/b/g/n/ac; 2.4GHz/5GHz (Optional)
Expansion	1 x Mini-PCIe, 1 x SIM Card Slot
Watchdog Timer	Output & Interval; Support Hardware Reset (256 level , 0~255 sec)
Rear I/O	1 x DC-In Jack 1 x DP 1 x HDMI 1 x Line-Out + MIC (2 In 1)
Front I/O	2 x LAN 2 x Antenna Holes 1 x Power Button 1 x SIM Card Slot 4 x USB 3.0 2 x COM (RS232), COM2 Support RS232/485 (Optional)

Physical

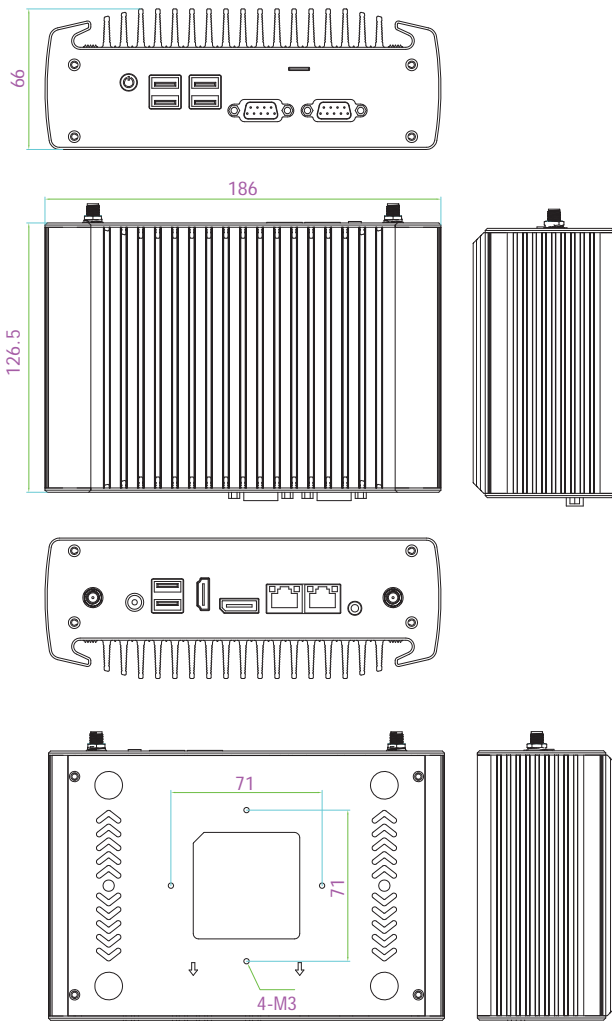
Power Input	DC 9-36V
Power Adapter	DC 12V/5A, 60W
Standard Accessory	Power Adapter VESA Mount Kits
Product Dimension	186 x 126.5 x 66 mm
Product Weight	1390g
Box Dimension	260 x 200 x 135 mm
Box Weight	2120g

Environment

Certification	CE, FCC
Operating Temperature	0°C ~ 50°C
Storage Temperature	-10°C ~ 85°C

Dimensions & Drawing

Unit : mm



Overview

